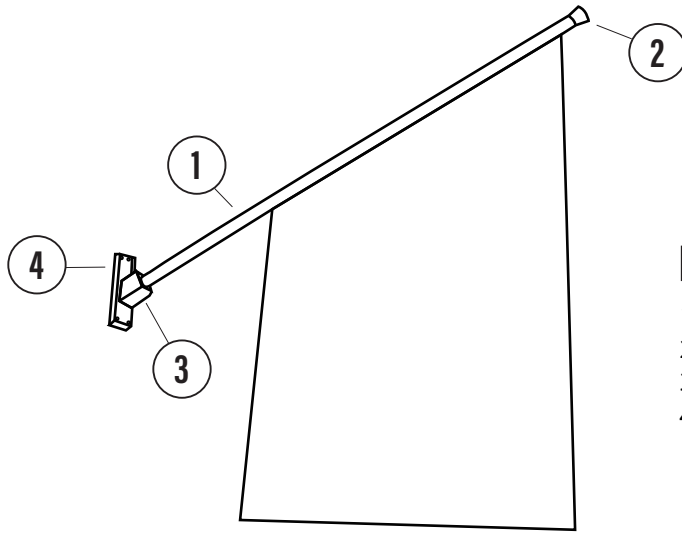


EYEBANNER FITTING SET: ACEB

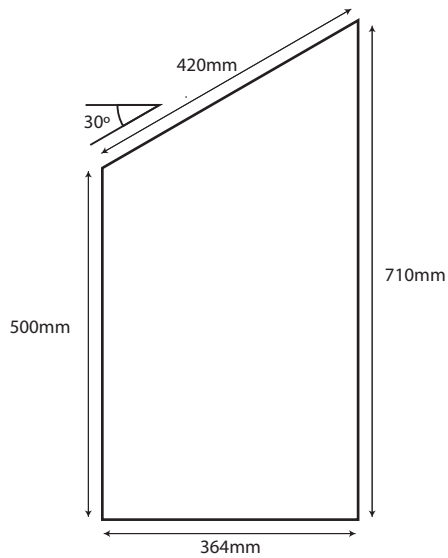


PARTS

1. Pole 700mm. (dia 20mm)
2. End Cap
3. Wall Fixing, Surface area: 45mm by 128mm
4. Multi Angle Adapter

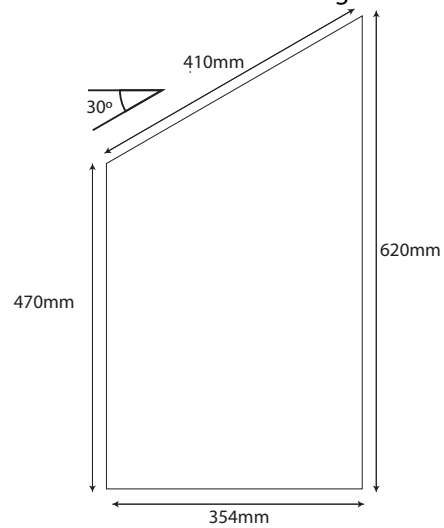
MATERIAL SIZE

Material size 364mm by 710mm
Top cropped at 30 degree angle.



GRAPHIC SIZE

30mm will be inserted into the flag pole.
For essential artwork or text allow for a
5mm bleed on banner edges.



NOTE

Check with your printer for artwork file requirements.